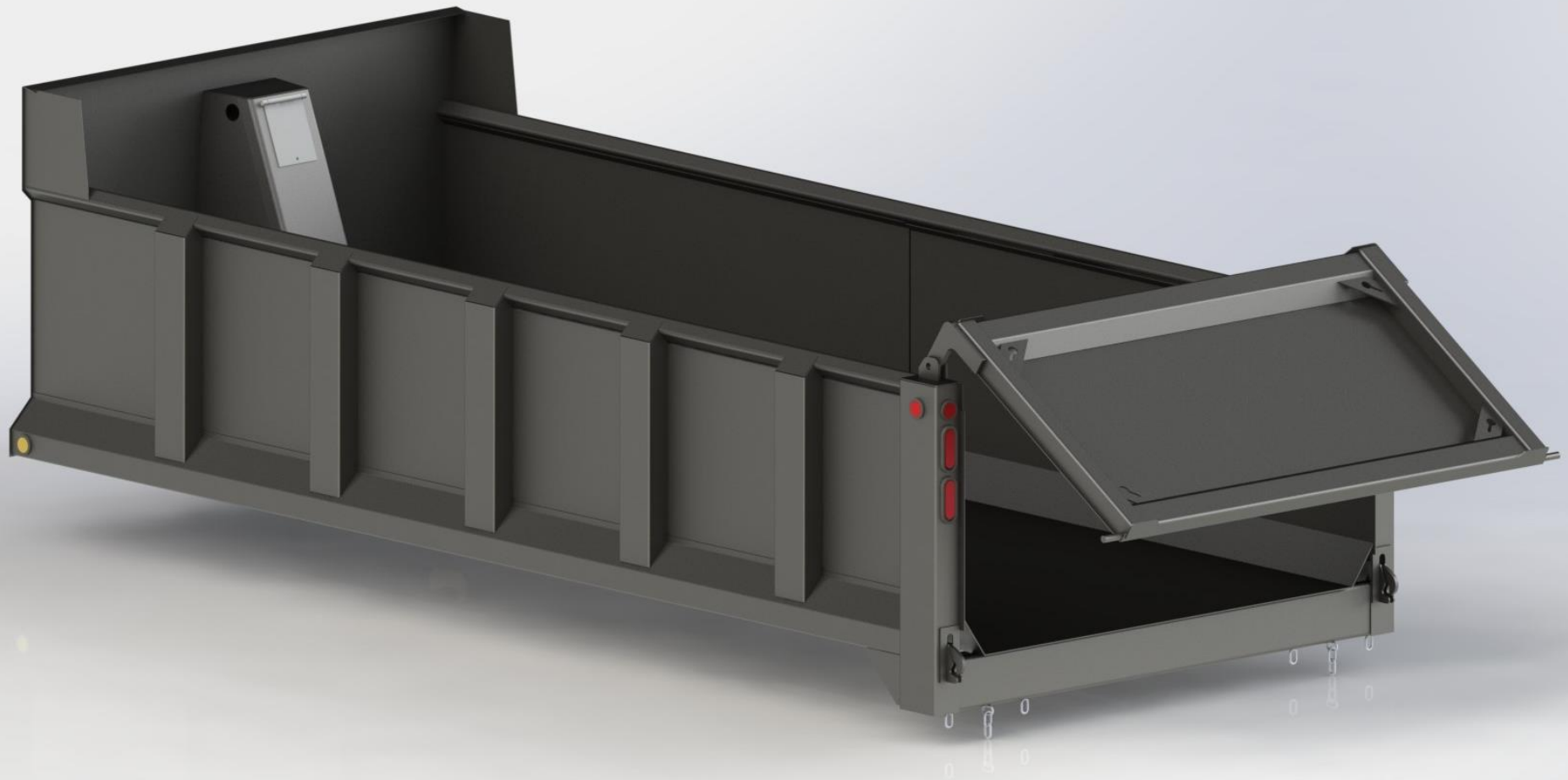


HERITAGE DUMP BODY



KH CONSTRUCTION

Max value in a time-tested design. This is the HERITAGE Dump Body by K&H Truckweld. An affordable option that doesn't compromise on durability; the classic ribbed wall design allows for a lighter-duty material make-up while preserving the strength necessary to get the job done.

www.khtruckweld.com
817-385-6773



DUMP BODIES

850 E. Industrial Ave. • Saginaw, TX 76131

www.khtruckweld.com

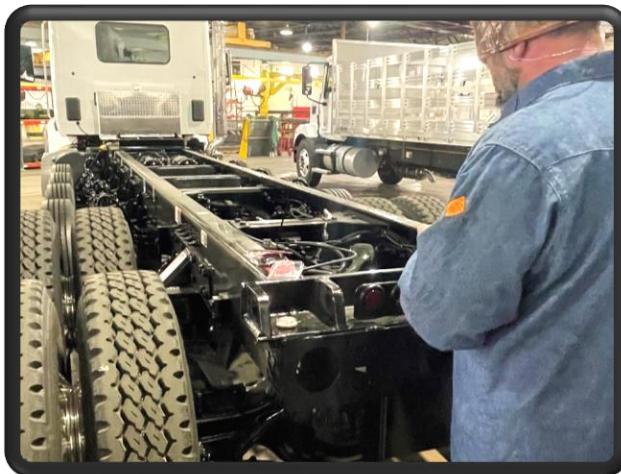
817-385-6773



K&H Truckweld has developed a line of durable dump bodies that can handle the workload you challenge them with day after day. Continuously standing as the premier manufacturer in the state of Texas, our products are left with a great finish that will enhance your company's reputation.



Guaranteed customer satisfaction is a statement we stand by. Whether it's service work or a new custom build, our customers know that they will always leave satisfied with the quality of work we provide.



From our facility located in the heart of the DFW Metroplex, we offer precision upfitting and install across all K&H products. From 2-Axle trucks to Simple-18's, we guarantee that your dump body installation will be thorough & efficient every time.

Quality equipment.....

By the people you trust